

V200

Product Specification

The V200 meter is designed for the measurement of cold potable water offering outstanding accuracy, long-term maintenance free working life and is highly resistant to tampering. The robust brass meter housing is supplied with a fine filter and dual check valve assembly compliant with AS/NZS 2845.1, being fitted to the 20mm & 25mm meters. For the 32mm & 40mm sizes, a reverse flow restrictor is used. V200 meters are approved to a T30 limiting condition (water temperature) of 50°C and a maximum admissible pressure of 1600 kPa. Standard counter registration is in kilolitres and litres with every meter individually tested for accuracy in accordance with *NMI NITP14 National Instrument Test Procedures for Utility Meters*.

The V200 meets the Metrological and Technical requirements of NMI R49-1, and is JAS-ANZ certified to AS 3565.1 by Global-Mark Pty Ltd. Pattern Approval has been granted by the National Measurement Institute (NMI) under Certificate of Approval No's: 14/3/1, 14/3/11, 14/3/12 and 14/3/18.

Register and shroud

The easy to read tamper-proof copper can register with toughened mineral glass lens is hermetically sealed to eliminate condensation and provides waterproofing to IP68. The register and UV resistant shroud and lid can be rotated for easier reading.

Tamper resistant

The V200 offers outstanding resistance to tampering and magnetic interference. An integral dual check valve assembly is fitted as standard to the 20mm & 25mm meters and Reverse Flow Restrictors are fitted to the 32mm & 40mm sizes. This stops the meters from being run backwards. An individual customised serial number is engraved on each meter.

Innovative communication

The standard V200 meter provides the water industry with the flexibility to meet future demands. Today a conventional meter - tomorrow, whilst in use and without any disconnection, risk of component damage, need to re-calibrate and with no affect on meter performance or accuracy; it can be easily converted for electronic / remote readout capability by simply fitting a self-powered inductive pulse module. Alternate versions fitted with an integrated radio output can also be provided.

Materials

V200 meters are manufactured from the highest quality materials ensuring maximum resistance to wear and corrosion. Copper alloys in contact with potable water are de-zincification resistant and comply with the Australian Standard AS 2345. All materials in contact with potable water comply with the Australian Standard AS/NZS 4020.



KEY FEATURES

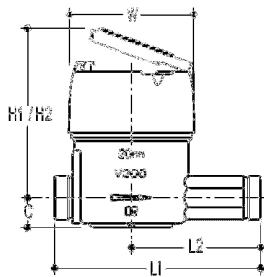
- Positive displacement volumetric principal of measurement ensures registration even at the very lowest rates of flow with maintained accuracy over the flow range.
- Volumetric rotary piston design permits optimum performance in horizontal, vertical or inclined pipelines without affecting accuracy.
- Requires no calibration throughout its lifespan.
- **e^{sens}** Inductive register for improved output performance and security. The register can be rotated 359°.
- Optional PR6 bi-directional, two channel pulse transmitters can be fitted to the inductive register.
- Use of advanced engineered plastics for the measuring chamber minimises wear and maintains reliability under all operating conditions.
- “O” ring sealing ensures that internal leaks that could by-pass the measuring chamber are eliminated.
- A leak indicator is fitted as standard.
- 20mm & 25mm meters can be supplied with various standard connections (e.g. nut and tail, ball joint, etc.).
- 32mm & 40mm meters have oval flanged connections.

V200 Product Specification

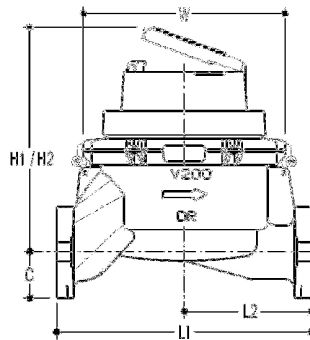
V200 PERFORMANCE TO NMI R49-1 / CLASS 2

NOMINAL METER DIAMETER (mm) - STANDARD Q ₃ /Q ₁ RATIO			DN20 - 315	DN25 - 315	DN32 - 250	DN40 - 200
MINIMUM FLOW RATE	Q ₁ ± 5%	L/h	12.7	20	40	80
TRANSITIONAL FLOW RATE	Q ₂ ± 2%	L/h	20.32	32	64	128
PERMANENT FLOW RATE	Q ₃ ± 2%	kL/h	4	6.3	10	16
OVERLOAD FLOW RATE	Q ₄ ± 2%	kL/h	5	7.875	12.55	20
MINIMUM REGISTRATION FLOW RATE		L/h	< 1	< 1	< 1	< 1
PRESSURE LOSS WITH DCV/RFR		kPa	65	67.7	22.5	17.8
@ FLOW RATE TO AS 3565		L/h	2500	3500	5000	7500
MAXIMUM WORKING PRESSURE		kPa	1600	1600	1600	1600
MAXIMUM ADMISSIBLE TEMPERATURE		°C	30	30	30	30
LIMITING TEMPERATURE		°C	50	50	50	50
MINIMUM COUNTER REGISTRATION		Litre	0.02	0.02	0.02	0.02
MAXIMUM COUNTER REGISTRATION		kL	99999.9999	99999.9999	99999.9999	99999.9999
STANDARD PULSE OUTPUT / (OPTIONAL)		Litres/pulse	1 / (10)	1 / (10)	1 / (10)	1 / (10)
NMI PATTERN APPROVAL CERTIFICATE	Number:		14/3/1	14/3/11	14/3/12	14/3/18
WATERMARK APPROVAL	Number:			WMO40243		TBA

DIMENSIONS



20 & 25mm W/Threaded connections



32 & 40mm W/Flanged connections

REGISTER DETAILS



e^{sens} patented pulse target technology
Customer logo and barcode can also be provided

NOMINAL DIAMETER (MM)	Units	DN20	DN25	DN32	DN40
METER LENGTHS (L1 / L2)	mm	154 / 96.3	178 / 89	190 / 95	232 / 145
CENTRELINE HEIGHT (C)	mm	21.0	25.0	34.0	39.0
MAXIMUM WIDTH (W)	mm	94.0	121.0	151.0	181.0
METER HEIGHT - LID CLOSED / OPEN (H1 / H2)	mm	102 / 167	130 / 200	146 / 216	166 / 236
BARE METER WEIGHT ^①	kg	1.25	2.02	4.64	6.8

NOTE: ^① Weight shown is unpacked without connections and is approximate only.

For more information

www.elstermetering.com

Elster Metering Pty Ltd

Head Office
55 Northcorp Boulevard
Broadmeadows
Victoria 3047
Australia
T: +61 3 9355 2000
E: ElsterVICSales@Honeywell.com

Elster Metering Pty Ltd

14/22 Northumberland Rd Caringbah
New South Wales 2229
Australia
T: +61 2 8536 7400
E: ElsterNSWSales@Honeywell.com

Elster Metering Pty Ltd

19 Corporate Drive
Cannon Hill
Queensland 4170
Australia
T: +61 7 3266 7733
E: ElsterQLDSales@Honeywell.com

Elster Metering Pty Ltd

PO Box 2130
Wangara
Western Australia 6065
Australia
T: +61 8 9206 1499
E: ElsterWASales@Honeywell.com

All rights reserved. The company's policy is one of continuous product improvement and the right is reserved to modify the specifications contained herein without notice. These products have been manufactured with current technology and in accordance with the applicable referenced standards.

Lit Ref: SMLH031 08/19
© 2017 Honeywell International Inc.

Honeywell